

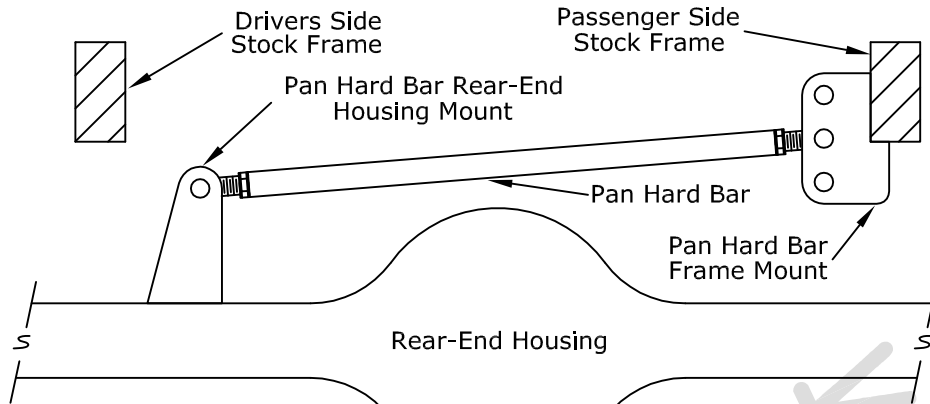


Camaro 4-Bar Kit

Not To Scale

Kit Includes

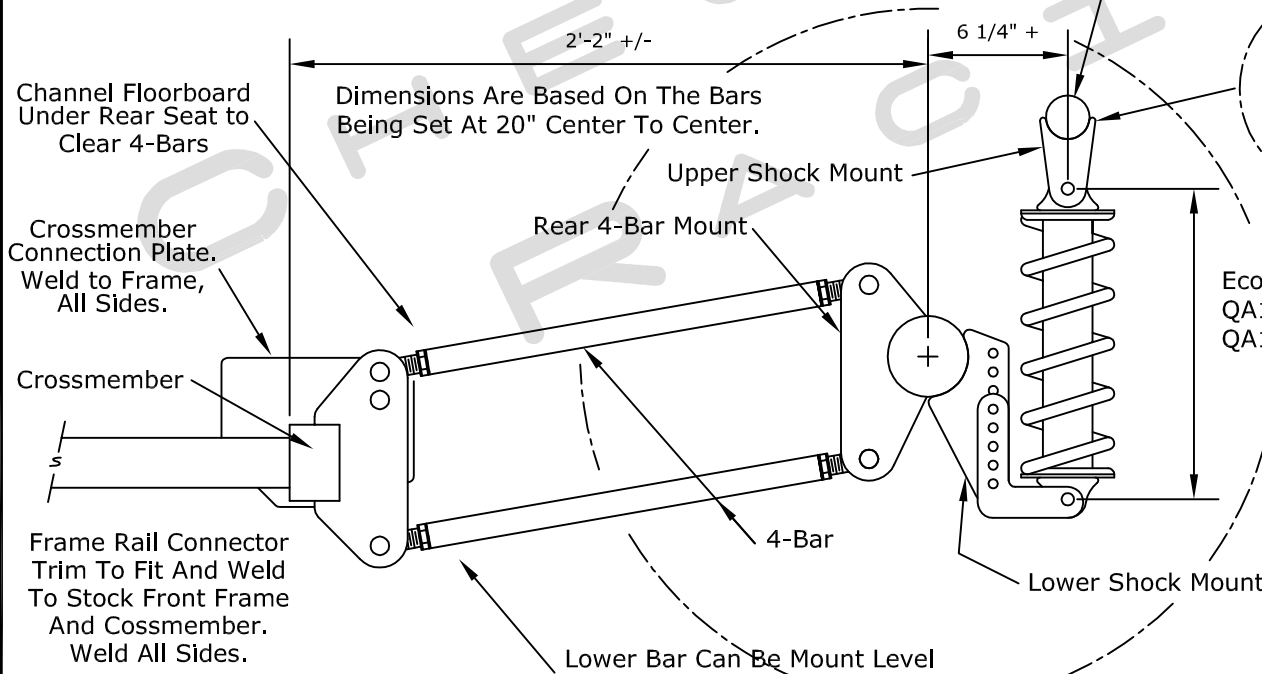
- 1 - Front Cross-Member with Drive Shaft Hoop and Front 4-Bar Brackets Installed
- 2 - Frame Rail Connectors
- 4 - Upper Shock Mounts (2 Per Shock)
- 2 - Adjustable Lower Shock Mounts
- 4 - Rear 4-Bar Mounts
- 4 - 4-Bars With Rod Ends
- 1 - Pan Hard Bar With Rod Ends
- 2 - Pan Hard Bar Frame Mounts
- 2 - Pan Hard Bar Rear-End Mounts
- 2 - Pan Hard Bolts And Nuts
- 4 - 4-Bar Bolts And Nuts
- 2 - Economy Coil Overs With Springs



1 3/4" Shock Tube Mounted Between Frame Rails

Top Coil Over Mount Can Be Rotated To Suit

Top Coil Over Mount Can Be Trimmed And Mounted To The Bottom Of The Frame.



Economy Coil Overs - 12 1/4" to 12 3/4"
QA1 Aluma Matics (ALN5855) - 13 1/2" to 14"
QA1 Prisma Stars (DR5855) - 13 1/4" TO 14 1/2"

Dimensions Are Provided For Reference Uses Only. Every Car Is Different. Please Mock-Up Your Suspension And Check It Through It's Travel Before Welding. Check For Clearance Problems And Bind.