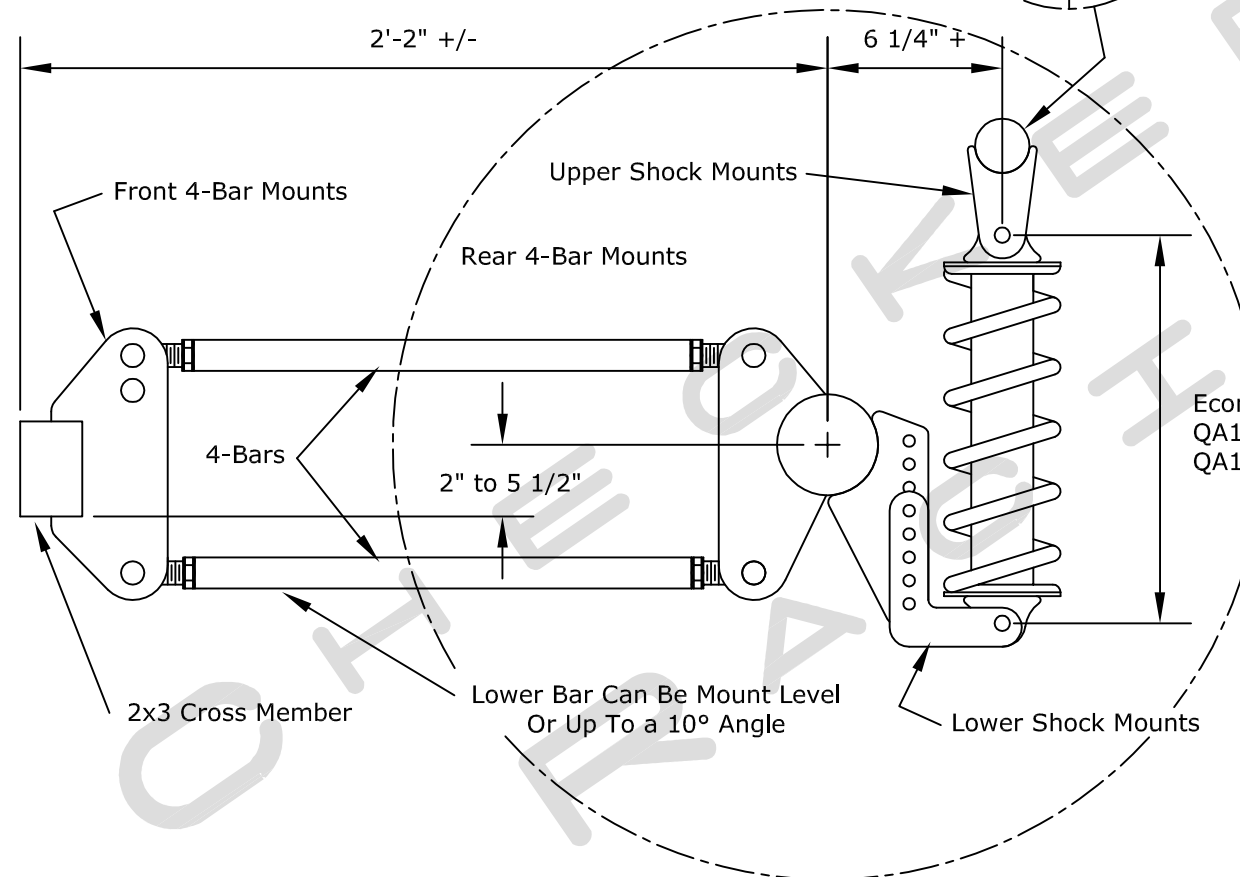




## Street 4-Bar Kit

Not To Scale

Dimensions Are Based On The Bars  
Being Set At 20" Center To Center.



### Kit Includes

- 1 - 60" 2x3 Front Cross-Member
- 4 - Front 4-Bar Mounts
- 4 - Rear 4-Bar Mounts
- 4 - 4-Bars With Rod Ends
- 1 - Pan Hard Bar With Rod Ends
- 2 - Pan Hard Bar Frame Mounts
- 2 - Pan Hard Bar Rear-End Mounts
- 2 - Pan Hard Bolts And Nuts
- 4 - 4-Bar Bolts And Nuts
- 2 - Economy Coil Overs With Springs
- 4 - Upper Shock Mounts (2 Per Shock)
- 2 - Adjustable Lower Shock Mounts

Economy Coil Overs - 12 1/4" to 12 3/4"  
QA1 Aluma Matics (ALN5855) - 13 1/2" to 14"  
QA1 Proma Stars (DR5855) - 13 1/4" TO 14 1/2"

Dimensions Are Provided For  
Reference Uses Only. Every Car  
Is Different. Please Mock-Up Your  
Suspension And Check It Through  
It's Travel Before Welding. Check  
For Clearance Problems And Bind.